

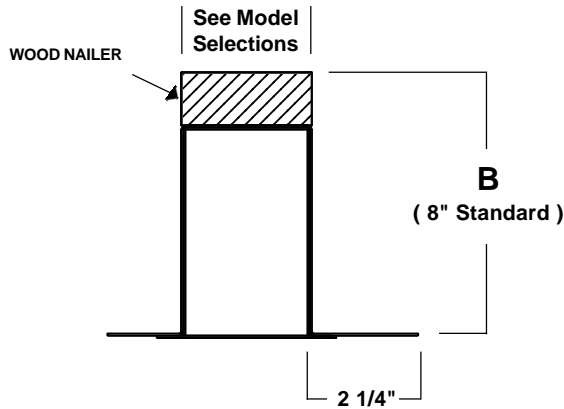
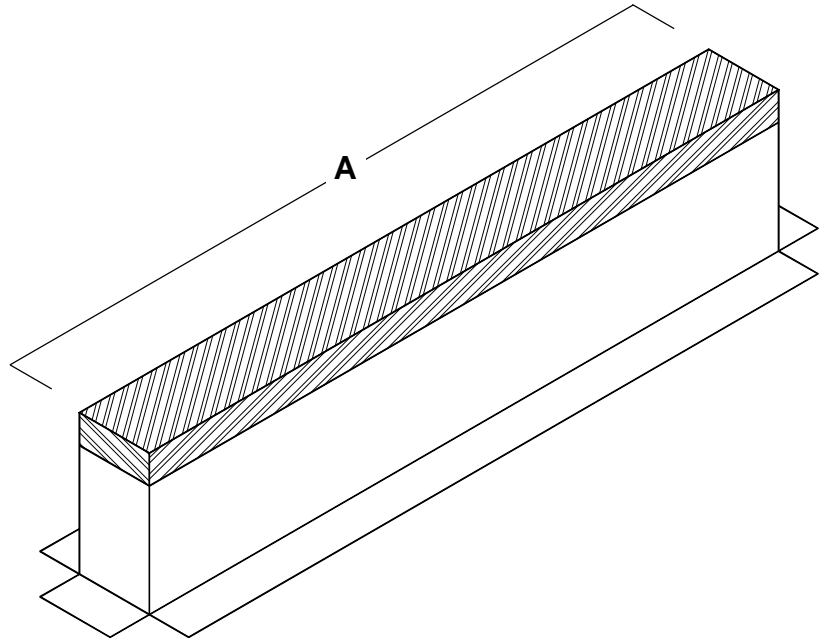
# EQUIPMENT SUPPORT

# S-ESF

Self Flashing  
Formed Steel

## STANDARD CONSTRUCTION

- Fabricated of 18 gauge galvanized steel shell and base plate. All seams are fully welded and sprayed with protective coating.
- Internal reinforcements at 12" centers.
- Factory installed Wood Nailer for equipment mounting is mechanically fastened.
- Mill finish is standard.
- Lengths exceeding 90" may require multiple section construction.



## MODEL SELECTIONS

	NOMINAL WIDTH	ACTUAL NAILER WIDTH
S-ESF-04	4"	3 1/2"
S-ESF-06	6"	5 1/2"
S-ESF-08	8"	7 1/2"
S-ESF-10	10"	9 1/2"
S-ESF-12	12"	11 1/2"

'A' (width)	'B' (height)	Qty	Options / Accessories / Variations

PROJECT \_\_\_\_\_ LOCATION \_\_\_\_\_  
 ARCH/ENGR \_\_\_\_\_ CONTRACTOR \_\_\_\_\_  
 REPRESENTATIVE \_\_\_\_\_ DATE \_\_\_\_\_

PC00118 - April 2000

ROOF CURBS

# Louvers & Dampers

A DIVISION OF MESTEK, INC.

P.O. Box 606 • 7435 Industrial Rd • Florence, KY 41042 • Phone (859) 647-2299 • Fax (859) 647-7810

# S-ESF

## OPTIONS / ACCESSORIES

### MATERIAL

Steel products are available in various gauges of Galvanized, Galvaneal or Stainless.

### PITCHED OR PEAKED

All units are available as pitched or peaked. In conjunction with the overall unit dimensions, both the height rise, specified in inches per linear foot ( e.g. 3" in 12" ) and the direction of the pitch must be specified.

### COUNTERFLASHING

A removable metal cap fabricated of the same material as the equipment support provides for an effective method of attaching roofing felts.

### CORNERS

Solid welded corners may be added to the self flashing flange on the bottom.

### GASKET

1/4" thick polyurethane foam gasket can be installed, lining the entire top perimeter. Gasket can be used in place of, or in addition to a wood nailer.

### FINISHES

A wide selection of finishes including Baked Enamel, Epoxy, or Prime Coat.